

DIGIT 2 ACCESS CONTROL

INSTRUCTIONS MANUAL



HOTEL:

ADDRESS:

LOCATION:

PHONE :

FAX:

E-MAIL:

OMNITEC DISTRIBUTOR:

CONTACT:

ADDRESS:

LOCATION:

PHONE:


FAX:

E-MAIL:



INTRODUCTION

CHARACTERISTICS AND MEASURES:

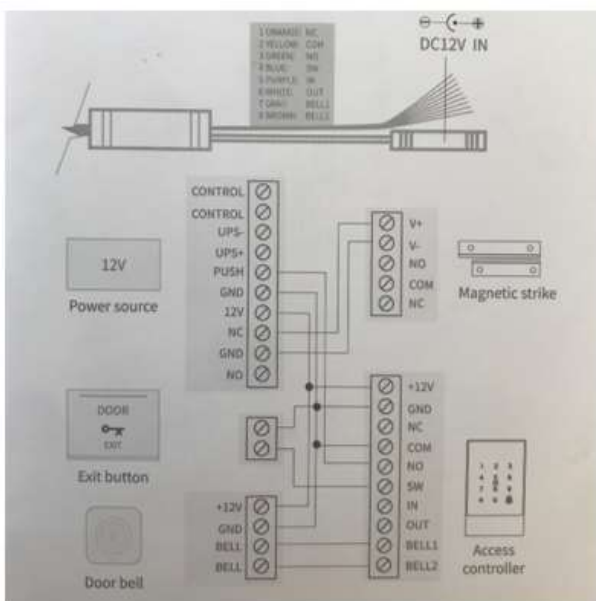
	Model	DIGIT 2
	Measures	79*125*16mm
	Material	Alumium
	Weight	330 gr.

- 1) It works with the one APP.
- 2) Works with RF card
- 3) You can share eKeys through APP with different authorization levels.
- 4) It works with access codes of different periods of validity.
- 5) The user can change his password on the keyboard.
- 6) Keyboard protection: the keypad is locked for 5 minutes after 5 times the incorrect access code entry.
- 7) Security access code: enter any digit, access is unlocked if the last digits are part of the actual access code.
- 8) Clear-up-passcode: when this code is entered, all codes that have been used to open are invalidated.
- 9) Automatic lock: automatic lock within 5 seconds of unlocking.
- 10) Real-time monitoring: the administrator receives a push notification when a user opens with the application.
- 11) Log in with a different mobile device: when you log in with a different mobile device, the previous one is automatically disconnected.
- 12) Message notification: a message is sent to the previous Administrator when the lock is restored.

PARAMETERS

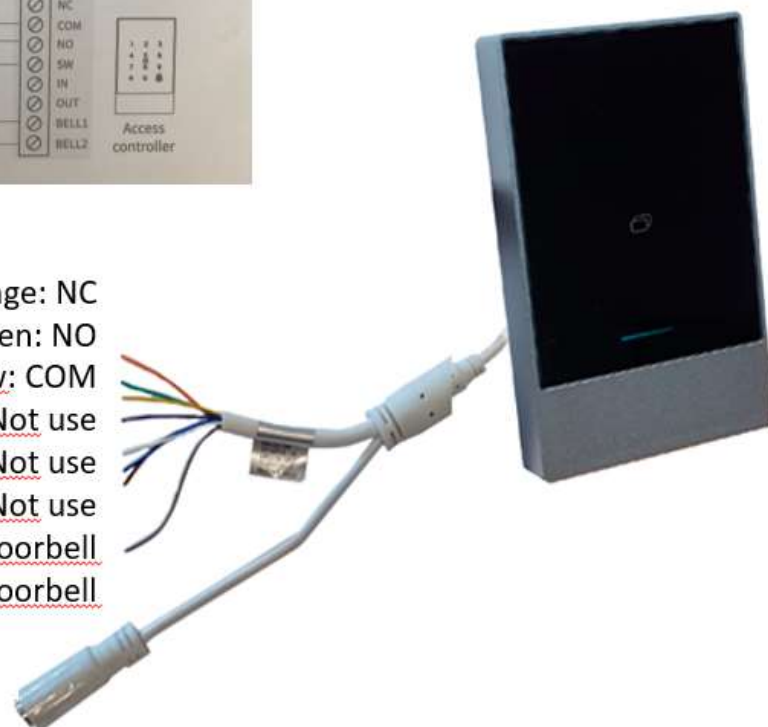
Communication	BLE 4.1
Compatible systems	Android 4.3/IOS7.0
Resting consumption	≈5mA
Work consumption	≈1A
Power supply	
Standby time	≈1.5
Material	Extruded aluminum
Measurements	79*125*16mm
No. dynamic passwords	UNLIMIT
No. access codes defined	150
No. RF cards	150
RF Card Type	13.56MHz, M1

INSTALATION



- Orange: NC
- Green: NO
- Yellow: COM
- Blue: Not use
- Purple: Not use
- White: Not use
- Gray: Doorbell
- Brown: Doorbell

Power 12 V
Track 1



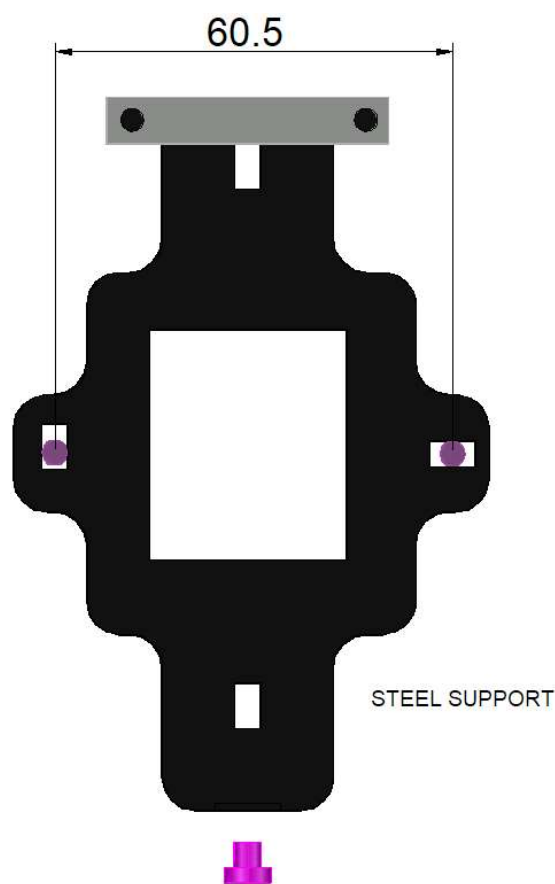
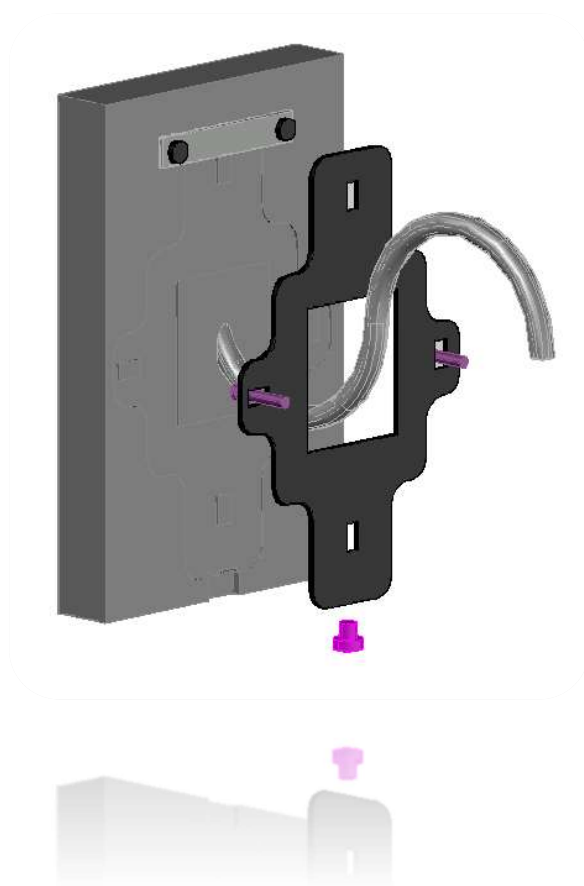
In the packaging, you will find an AC / DC 100-240V 12V-3A power supply with a 2-way outlet.

On track 1 you can connect the power of the access control device, and on track 2, you will be available to connect the power of any other electrical device. (see scheme).

The cables that you will normally have to use, are the yellow and green wires (if you use a normally open strike) / orange (if you use a normally closed strike)

To download the APP, please contact info@omnitec.es or request information from your distributor.

WALL INSTALLATION



Remove the steel support from the device. Mark on the wall and drill (60.5mm between centers), place nylon plugs and screws available. Once the steel support is fixed on the wall, install device and place M4 screw to finish.

RECOMMENDATIONS

Here are a series of recommendations that must be taken into account before, during and at the end of the installation:

- Check each and every one of the components of the packing, make sure that all the material is inner.
- Follow the instructions in the scheme for installation.
- Download the APP for its operation and access control configuration.
- The installation of this device must be performed by a professional.

Omnitec Systems s.l. It has a technical department at your disposal in case you want to ask any questions about the installation.

Tecnicos@omnitec.es